

Assemble Step

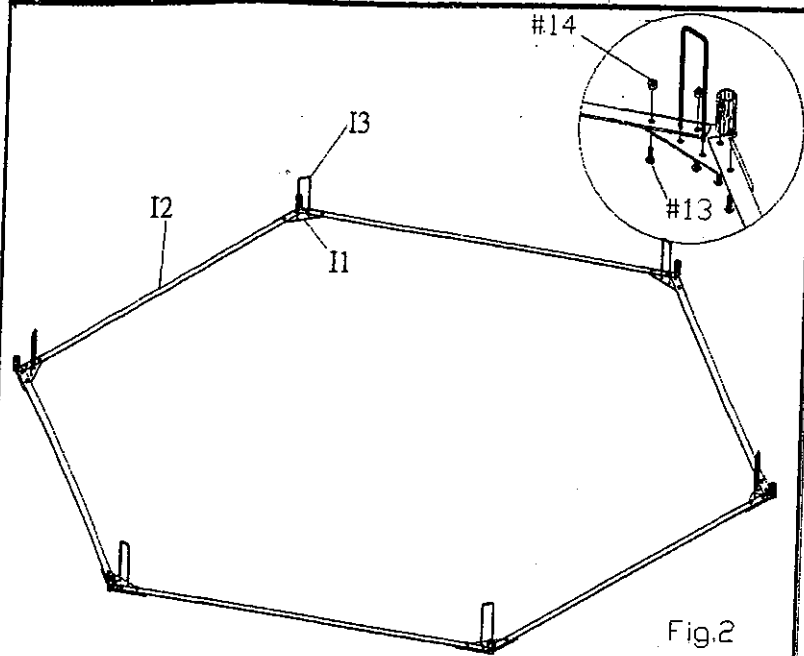


Fig.2

1st Step:

Set right position as the Fig.2 --

Use these attached screws to joint "I1", "I2" as the Fig-2 and keep these six "I1" plate in the same plane on your demand. Than hit the "I3" into the ground to fix the "I1" plate.

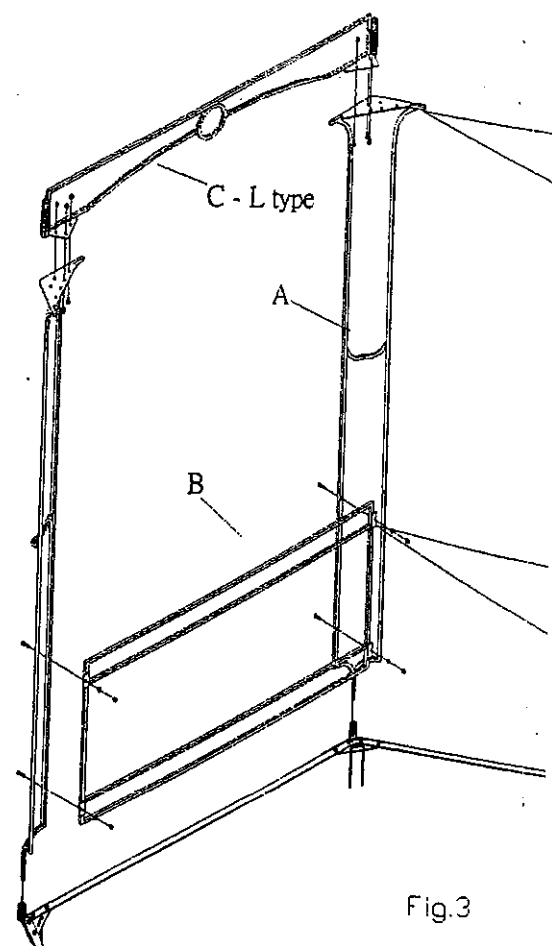
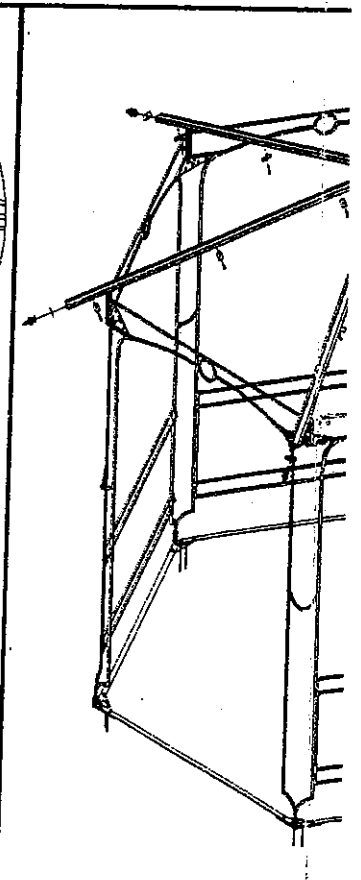
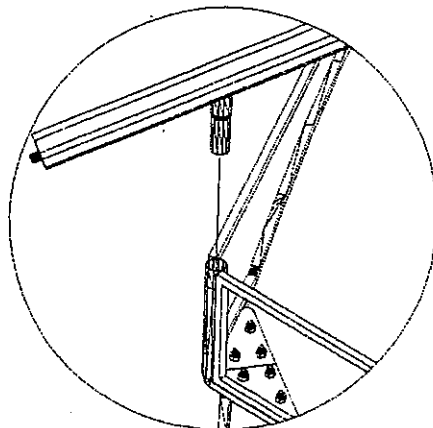
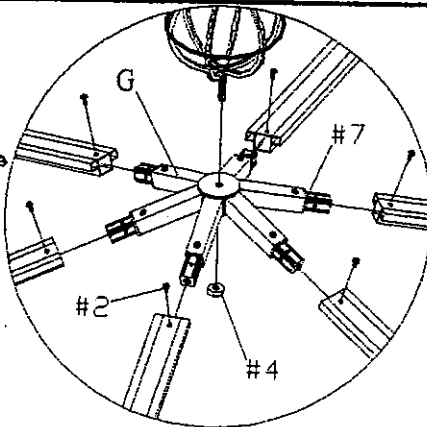
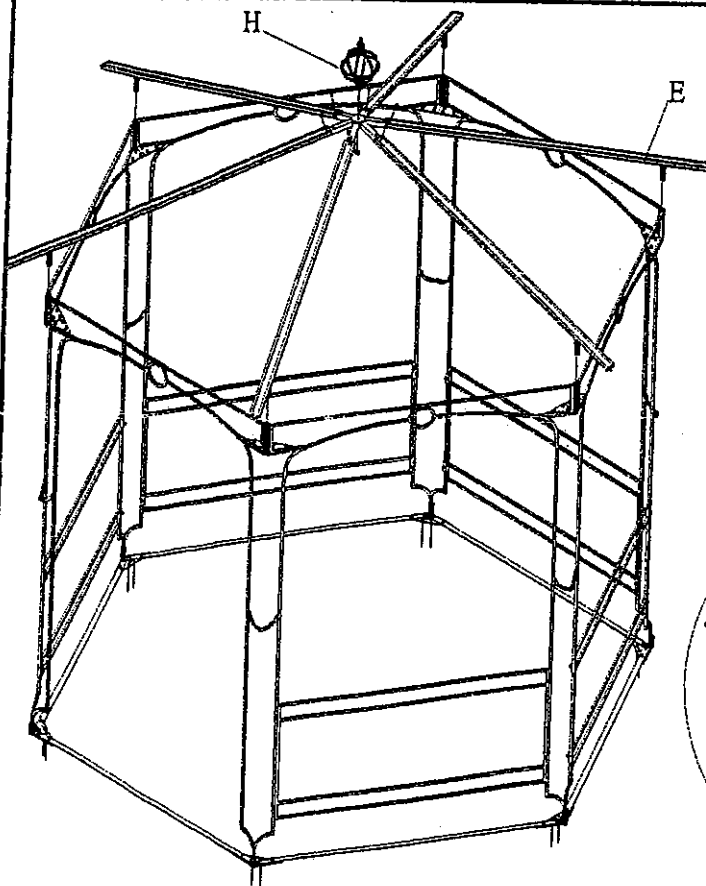


Fig.3

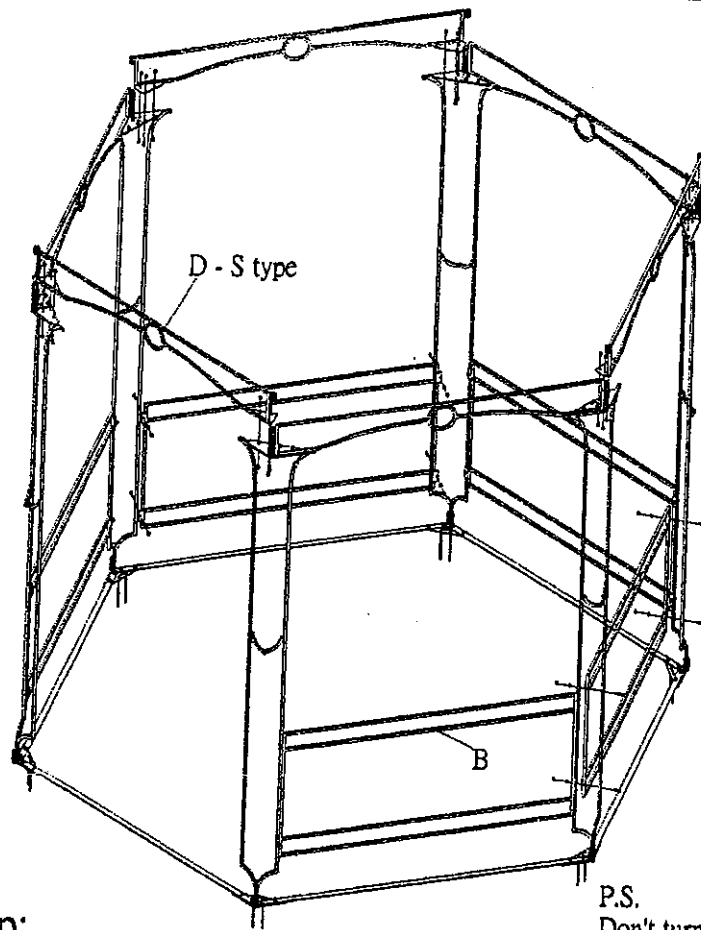
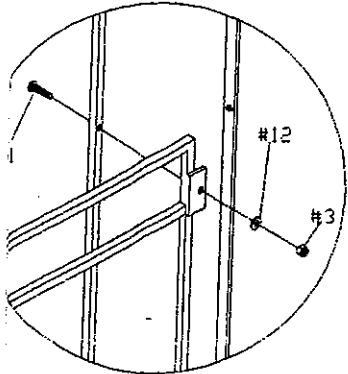
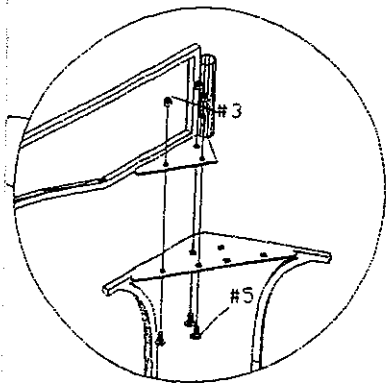
2nd Step: Make up 3 sets of the wall shape :

Assemble the "Pillar"(A), "Fence"(B) and "L type Beam"(C) as the panel stand on the holes of those holder "I1" one by one.



5th Step

4th Step: Construct the roof frame--

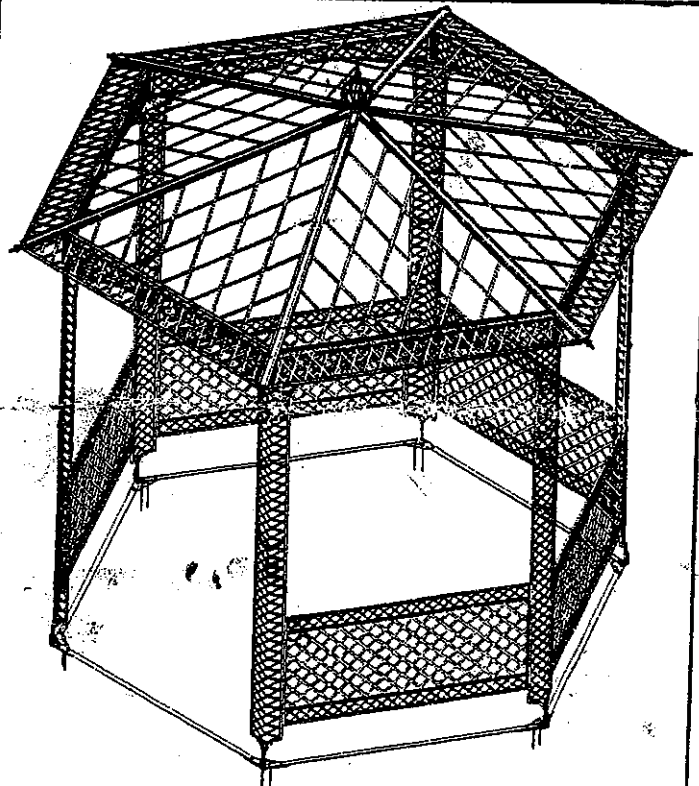
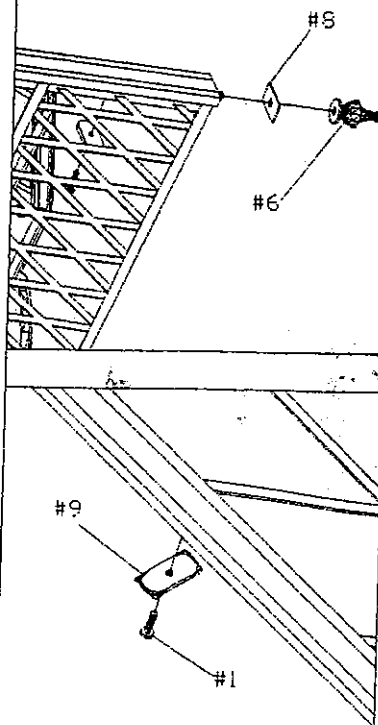
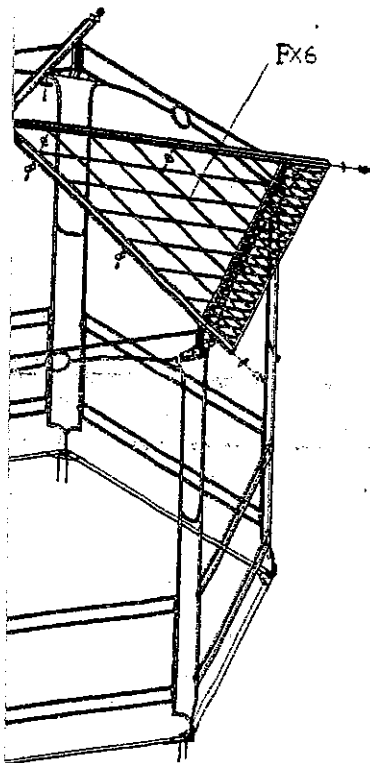


le Fig.3--
ill shape. Than lift

3rd Step:

Compose these three panels jointly --
Use the "S type Beam"(D) and the other "Fence"(B) to jion
these panels. And keep the doorway on your demand.

P.S.
Don't turned the screws too
tight in this step. But you
have to make sure the
screws have turned tightly
after step 4.



insert the Roof Cover --
adjust the clip of the roof support under the frame. Release

P.S.
If you are build in the